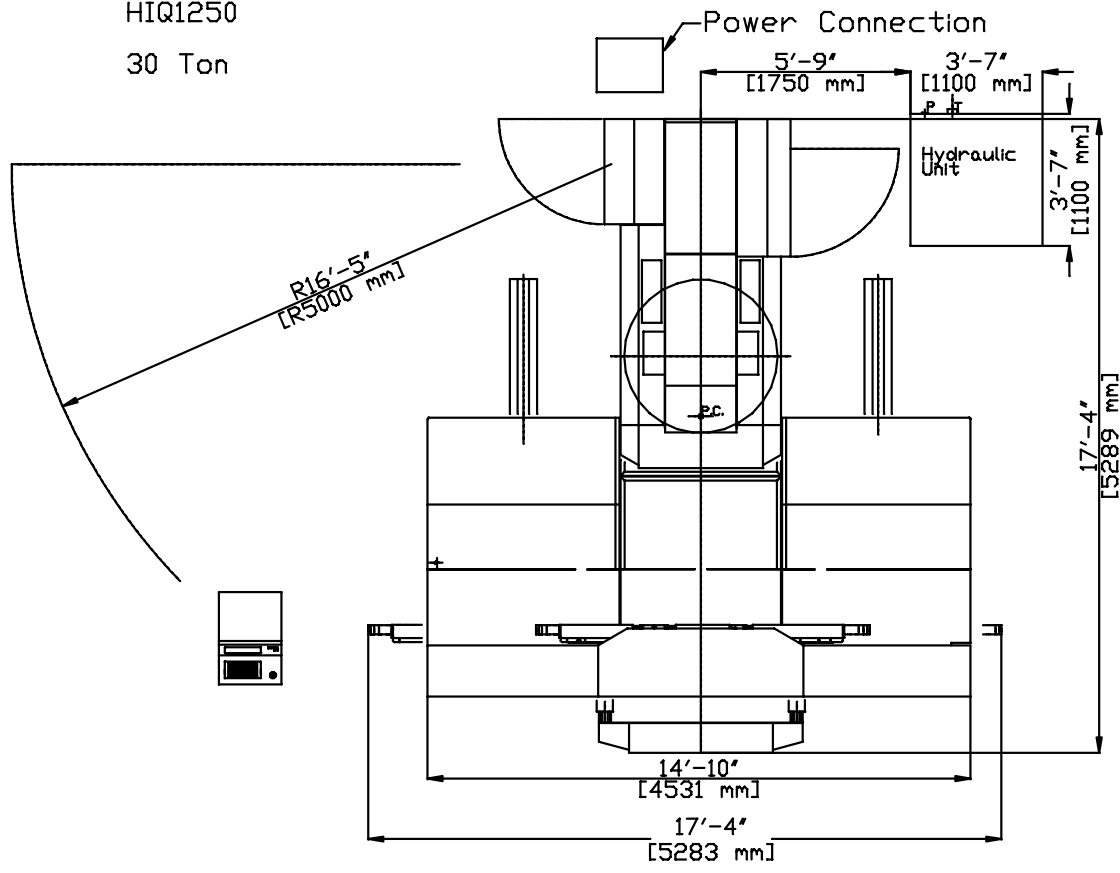


HIQ1250
30 Ton



Machine Before Tables
Are Installed

